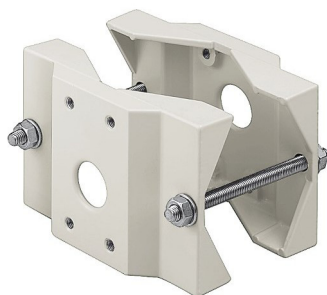


WSFPA – Pole Mount Adapter

Pole Mount Adapter WSFPA for Pole Diameters 65–110 mm (2.6–4.3")



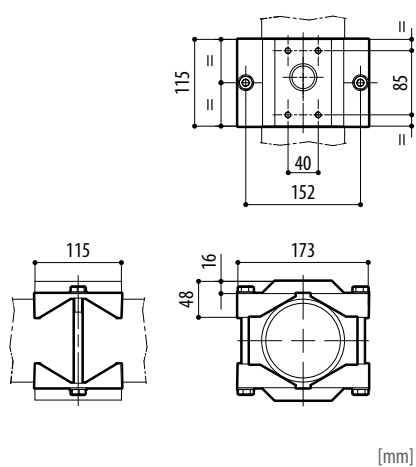
Features

- Suitable for pole diameters 65–110 mm (2.6–4.3")

Compatibility Wall Mount Bracket

- WBMA
- WBOVA2

Specifications	
Construction material	Die-cast aluminium
Load rating	30 kg (66 lb)
Color	RAL 9002 (grey white)
Weight	0.9 kg (2.0 lb)



Mounting Accessories

- 004387** **WSFPA – Pole Mount Adapter**
Pole mount adapter WSFPA for pole diameters 65–110 mm (2.6–4.3")