

TACT

Digital keyboard selector in die-cast aluminum, up to 250 codes storable



Protection:
Electronics protected by a preassembled gasket on a dedicated housing.

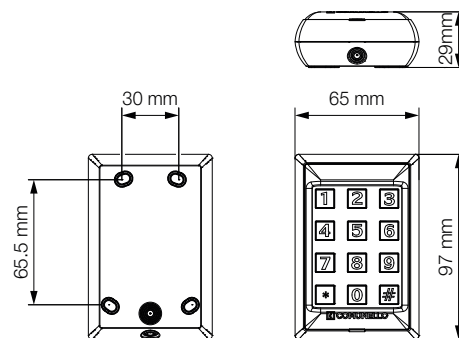
Comfort:
Keys with backlit numbers clearly visible in the dark.

Simplicity and ease of installation:
Cable passage arranged both at the bottom and at the rear of the keyboard. Large space dedicated to wiring.

Design:
New attractive design with no visible screws

Adjustment:
The slotted holes allow adjustment of the position even after installation

Durability:
Structure completely in die-cast aluminum



				IP		
TACT	GTACTSTDN0B00A	Digital keyboard selector, in aluminum (working via TACT DEC)	24 VDC/VAC	54	1	0,35 Kg

A pre-assembled gasket protects the electronics from any entry of insects or water.

Gasket to protect the keyboard selector.

The 4 slotted holes allow adjustment of the position even after installation



Structure completely in die-cast aluminum

Cable passage arranged both at the bottom and at the rear of the photocell.