

# TACT DEC

2 channels decoder for TACT / TACT-CARD



Available from 2021

**Protection:**

Electronics protected by a preassembled gasket on a dedicated housing.

**Simplicity and ease of installation:**

Cable passage arranged both at the bottom and at the rear of the keyboard. Large space dedicated to wiring.

**Design:**

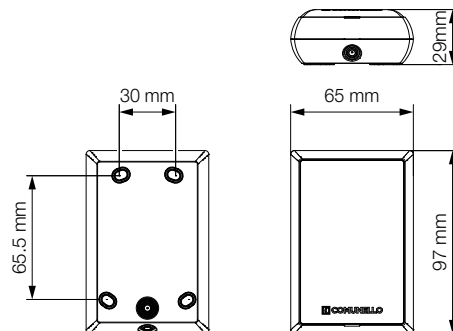
New attractive design with no visible screws

**Adjustment:**

The slotted holes allow adjustment of the position even after installation

**Durability:**

Structure completely in die-cast aluminum



◆	DIOI	☰	⚡	IP	📦	⚖️	€
TACT DEC	GTACTDECN0B00A	Decoder for TACT / TACT-CARD	24 VDC/VAC	54	1	0,27 Kg	84,00 €

A pre-assembled gasket protects the electronics from any entry of insects or water.



Structure completely in die-cast aluminum

Large space dedicated to wiring

The 4 slotted holes allow adjustment of the position even after installation



Cable passage arranged both at the bottom and at the rear of the photocell.