

DS-3WF0EC-5ACT 5 Ghz 867 Mbps 500 m Dual Elevator Wireless Bridge



The dual wireless bridge can be applied in industries, such as wireless video security, railway, transportation, power and other industries, wireless video/data transmission, wireless coverage, carrier wireless backbone network construction, Wi-Fi wireless coverage, rural information construction, and wireless network coverage. The long-distance transmission of the device can guarantee multi-channel HD video transmission.

- Up to 500 m wireless transmission distance
- 867 Mbps 802.11ac wireless bridge
- Built-in 8 dBi 2 x 2 MIMO antenna
- Visualized topology management
- Real-Time alarm push technology

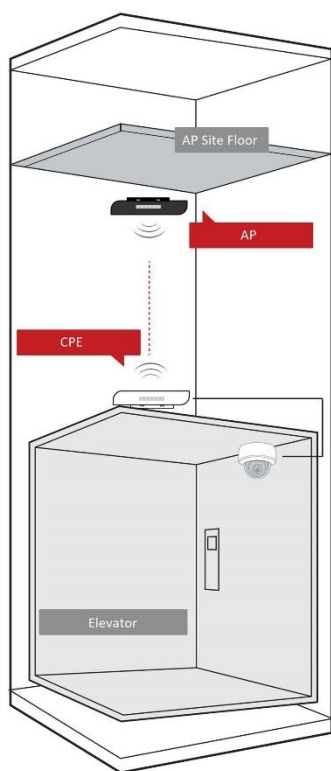
▪ Specification

Model		DS-3WF0EC-5ACT
Wireless Parameter	Max. Transmission Rate of Air Interface	≤ 867 Mbps
	Wireless Standard	IEEE 802.11ac (2 × 2 MIMO 867 Mbps)
	Working Frequency Band	5150 MHz~5250 MHz 5250 MHz~5350 MHz 5470 MHz~5725 MHz 5725 MHz~5825 MHz (Note: Frequency band may vary with local regulations.)
	Transmitting Power	22 ± 2 dBm @11ac 80 MHz MCS0 (Note: Transmitting power may vary with local regulations.)
	Receiving Sensitivity	-61 ± 2 dBm @11ac 80 MHz MCS9
	Antenna Gain	8 dBi
	Antenna Angle	Beamwidth [3 dB] (35° ± 5°)
	Network Parameters	Networking Mode
Hardware Parameter	Port Numbers	3 × 10/100 Mbps RJ45 ports
	LED Indicator	Power indicator, LAN indicator, signal intensity indicator
	Reset	Hardware resetting button
	Power Supply	12 VDC/1 A Passive PoE
Software Function	Application Function	IFM,IPM,DFS,TPC
	Channel Width	20/40/80 MHz
	Channel Selection	Auto/manual selection
	Network Protocol	NTP (network time synchronization), SADP (auto search for IP address), HTTP/HTTPS (web management), SSH (debugging)
	Security Mode	WPA2-PSK
	Security Mechanism	SSID hidden
	Management Method	Web, iVMS-4200, HCP
	Upgrade	Web, iVMS-4200, HCP
General	System Log	Syslog, control center information
	Product Dimensions (W × H × D)	92 mm × 187 mm × 46 mm (3.62" × 7.36" × 1.81")
	Package Dimensions (W × H × D)	256 mm × 231 mm × 86 mm (10.07" × 9.09" × 3.38")
	Net Weight	0.26 kg (0.57 lb) per device
	Gross Weight	0.8 kg (1.76 lb)
	Packing List	Wireless bridge × 2, power adapter (12 VDC, 1 A) × 2, 10/100 Mbps PoE injector × 2, binding tape × 4, quick start guide × 1, regulatory compliance and safety information × 1
	Packing Method	Packing in pairs
	Working Temperature	-30 °C to 70 °C (-22 °F to 158 °F)
Working Humidity	5% to 95% (no condensation)	

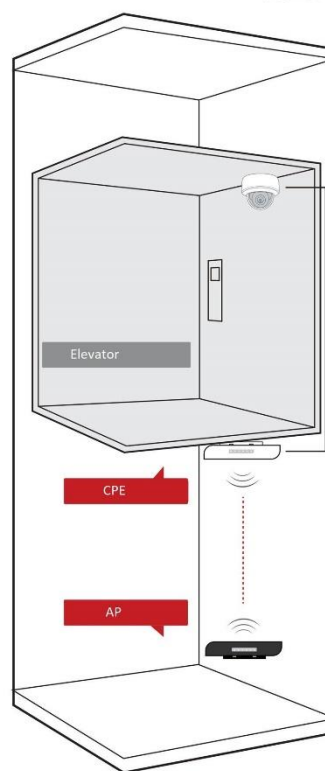
	Storage Temperature	-40 °C to 80 °C (-40 °F to 176 °F)
	Storage Humidity	5% to 95% (no condensation)
	Installation Mode	Pole mounting
	Power Consumption	2.43 W for typical (1-ch 2MP IPC), Max. 3.6 W
Approval	EMC	CE-EMC (EN 55032: 2015+A11: 2020, EN IEC 61000-3-2: 2019, EN 61000-3-3: 2013+A1: 2019, EN 50130-4: 2011+A1: 2014, EN 55035: 2017+A11: 2020);
	Safety	CB (AMD1:2009, AMD2:2013, IEC 62368-1: 2014 (Second Edition); CE-LVD (EN 62368-1: 2014+A11: 2017)
	Chemistry	CE-RoHS (2011/65/EU); WEEE (2012/19/EU); Reach (Regulation (EC) No.1907/2006)
	Radio	EN 301 893; EN 300 440; EN 62311; EN 301 489-3; EN 301 489-17

▪ Typical Application

Scene 1

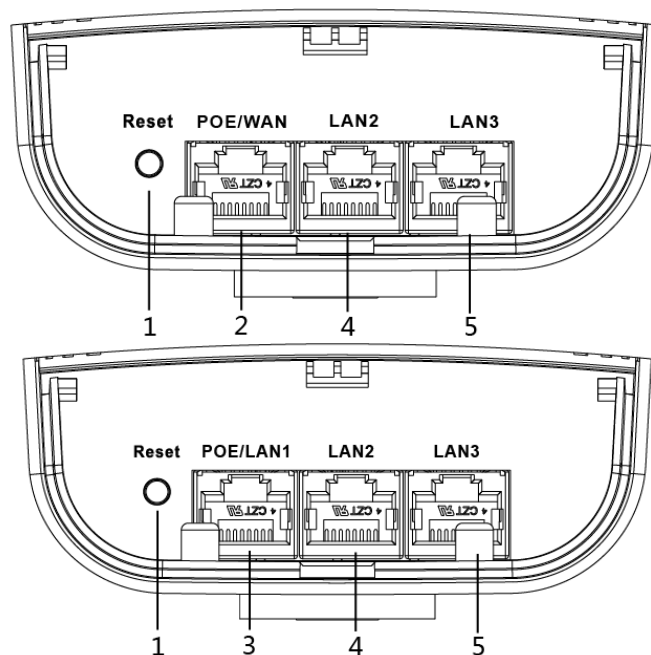


Scene 2



▪ Physical Interface

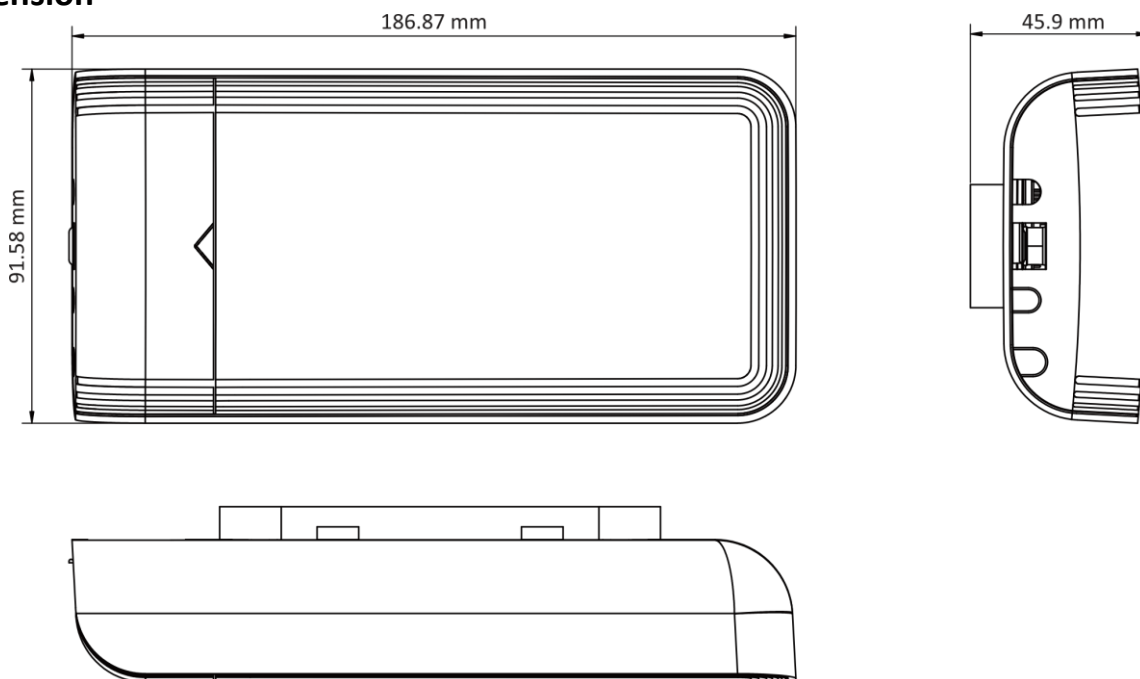
No.	Interface/Button	Description
1	Reset	Long press for 4 seconds to restore to factory settings.
2	PoE/WAN	The 10/100 Mbps adaptive RJ45 port, also can be used as a PoE port.
3	PoE/LAN 1	The 10/100 Mbps adaptive RJ45 port, also can be used as a PoE port.
4/5	LAN 2/LAN 3	The 10/100 Mbps adaptive RJ45 port.



▪ **Available Model**

DS-3WF0EC-5ACT

▪ **Dimension**



Headquarters

No.555 Qianmo Road, Binjiang District,
Hangzhou 310051, China
T +86-571-8807-5998
www.hikvision.com



Follow us on social media to get the latest product and solution information.

