

DS-MCW407(D) Body Camera



Body camera (hereinafter referred to as device) highly integrates with record, taping, capture, positioning, etc. It is embedded with positioning module with high sensitivity to locate the occurring position of events accurately. It can record the process and condition of events completely via record, taping, and capture. You can also tag the important data for future search. It is small and light, convenient to carry, and can be worn on the shoulder, satisfying the requirement of mobile duty and evidence record for single person. It is widely applicable to public security protection, city management, industry and commerce, etc.

- 1080p HD recording.
- The recorded videos can be uploaded to the central video platform via 4G wireless communication.
- Dual positioning modules of GPS and Beidou. The location information can be uploaded to the command center in real time.
- Supports IR night vision. Even in the dark scene, the facial features of the persons in the scene can be recognized clearly.
- Tri-proof design to support all-weather filed operation.
- Built-in battery with large capacity, supporting longer working hour.
- Small size, light weight, and convenient to carry.
- Large recording button for convenient operation.



▪ Specification

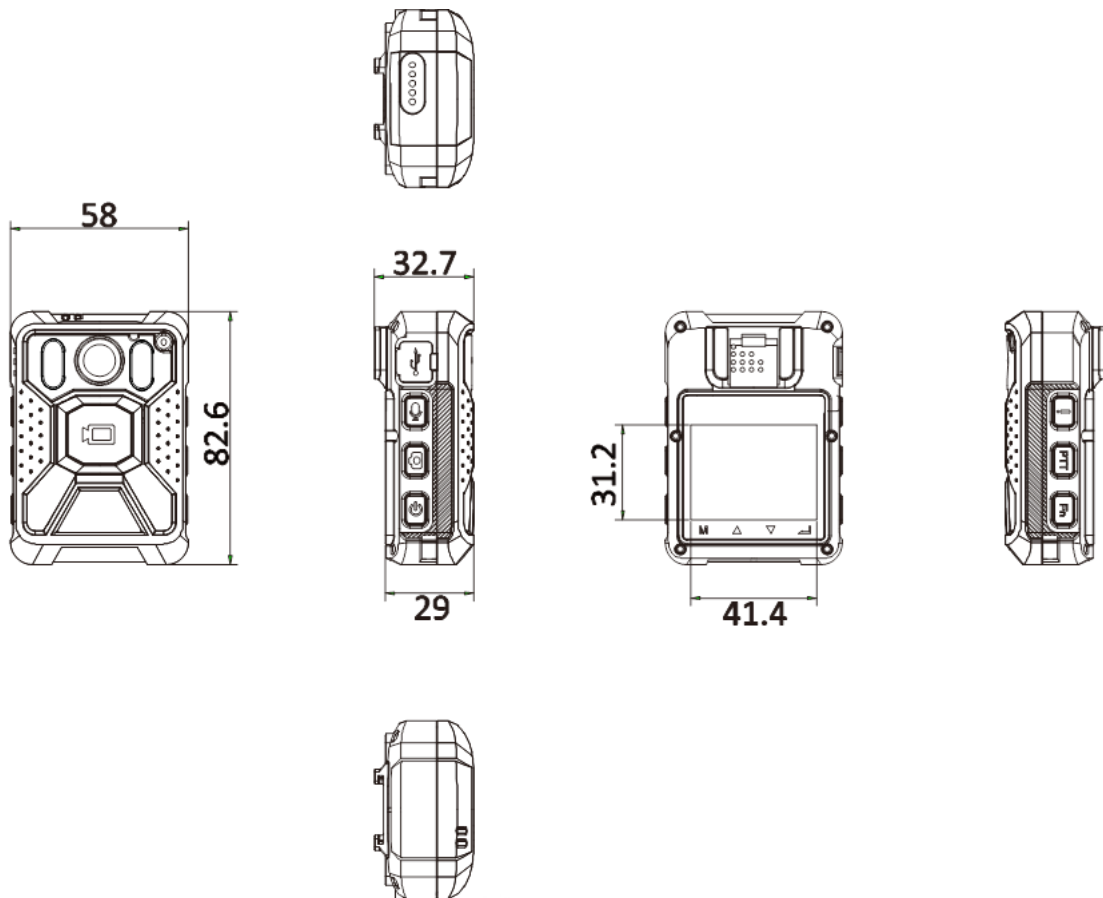
| Camera | |
|--|---|
| Sensor Type | 1/3" CMOS |
| Screen | |
| Screen Size | 2.0 inch |
| Resolution | 320 × 240 |
| Contrast | 1500:1 |
| Max. Brightness | 500 cd/m ² |
| Material | TFT |
| Lens | |
| Lens Focal Length | 2.4 mm |
| Lens Aperture | F2.2 |
| Image | |
| Horizontal FOV | 125° |
| Day/Night Switch | IR cut filter with auto switch (You can see human face within 3 m at night.) |
| White Balance | AWB |
| Digital Zoom | × 4 |
| Video | |
| Stream Type | Main stream,Sub-stream |
| Main Stream Resolution | 720 × 576, 1280 × 720, 1920 × 1080 |
| Sub-Stream Resolution | 720 × 576, 1280 × 720 |
| Main Stream Frame Rate | 25 fps |
| Sub-Stream Frame Rate | 5 fps, 15 fps, 25 fps |
| Video Compression | H.264, H.265 |
| Bit Rate Control | Variable bit rate |
| Record Resolution | 720 × 576, 1280 × 720, 1920 × 1080 |
| Image Resolution | 40 M, 30 M, 16 M, 5 M |
| Image Format | JPEG |
| Audio | |
| Audio Sampling Rate | 16 KHz |
| Audio Compression | G.722.1, G711.a, G711_MU, PCM |
| Audio Bit Rate | 16 Kbps |
| Network and Connection | |
| Dial-up (only available for /GLE model) | FDD -LTE B1, FDD -LTE B3, FDD -LTE B7, FDD -LTE B8, FDD -LTE B20, WCDMA B1, WCDMA B8, GSM 900, GSM 1800 |
| Wi-Fi Protocol | 802.11b, 802.11g, 802.11n |
| Wi-Fi Working Mode | STATION |
| Wi-Fi Frequency Range | 2.412 to 2.472 GHz |
| Positioning | GPS, Beidou |
| Bluetooth | Not supported |
| Protocol | NTP, RTSP, RTP, TCP/IP, UDP, DHCP, IPv4 |
| Interface Protocol | EHome 2.0, Hikvision SDK, Ezviz Protocol, ONVIF, ISUP5.0 |
| General | |
| Operating System | Linux |
| Laser Positioning | Supported |

| | |
|------------------------------------|---|
| Indicator | Charging indicator, working indicator |
| Vibration | Not supported |
| Button | On/off, record, capture, tape, PTT, alarm, Fn, menu, home, back |
| Product Weight | 159.5 g (0.4 lb.) |
| Product Dimension | 82.6 × 58 × 29 mm (3.3 × 2.3 × 1.1 inch) |
| Package Weight | 496 g (1.1 lb.) |
| Package Dimension | 188 × 136 × 70.5 mm (7.4 × 5.4 × 2.8 inch) |
| Ingress Protection | IP68 |
| Drop Protection Performance | Drop it twice for each side (6 sides in total) from the height of 2 m on the cement ground. |
| Power Supply Mode | Battery power supply |
| Working Temperature | -20 °C to 55 °C (-4 °F to 131 °F) |
| Working Humidity | ≤ 90% |
| Light Supplement | |
| IR | Supported |
| White Light | Supported |
| Storage | |
| Embedded Storage Media | TF |
| Embedded Storage Capacity | Max. 512 GB |
| Peripheral Device Interface | |
| Charging Interface | Type-C |
| External Interface | USB 2.0 |
| Loudspeaker | Supported |
| MIC | Supported |
| SIM Card Slot | 1 (Nano-SIM) |
| Battery | |
| Dismountable Battery | Not supported |
| Battery Capacity | 3,220 mAH |
| Battery Life for Record | Recordable not less than 11 hours in 1080p resolution |
| Shutdown Charging Time | 4 h |

▪ Available Model

DS-MCW407/32G/GLE(D), DS-MCW407/32G/GPS/WIFI(D)

Dimension



Distributed by

Unit: mm

HIKVISION®

Headquarters

No.555 Qianmo Road, Binjiang District,
Hangzhou 310051, China
T +86-571-8807-5998
overseasbusiness@hikvision.com

Hikvision USA
T +1-909-895-0400
sales.usa@hikvision.com

Hikvision Australia
T +61-2-8599-4233
salesau@hikvision.com

Hikvision India
T +91-22-28469900
sales@pramahikvision.com

Hikvision Canada
T +1-866-200-6690
sales.canada@hikvision.com

Hikvision Thailand
T +662-275-9949
sales.thailand@hikvision.com

Hikvision Europe
T +31-23-5542770
sales.eu@hikvision.com

Hikvision Italy
T +39-0438-6902
info.it@hikvision.com

Hikvision Brazil
T +55 11 3318-0050
Latam.support@hikvision.com

Hikvision Turkey
T +90 (216)521 7070- 7074
sales.tr@hikvision.com

Hikvision Malaysia
T +601-7652-2413
sales.my@hikvision.com

Hikvision UK & Ireland
T +01628-902140
sales.uk@hikvision.com

Hikvision South Africa
Tel: +27 (10) 0351172
sale.africa@hikvision.com

Hikvision France
T +33(0)1-85-330-450
info.fr@hikvision.com

Hikvision Kazakhstan
T +7-727-9730667
nikia.panfilov@hikvision.ru

Hikvision Vietnam
T +84-974270888
sales.vt@hikvision.com

Hikvision UAE
T +971-4-4432090
salesme@hikvision.com

Hikvision Singapore
T +65-6684-4718
sg@hikvision.com

Hikvision Spain
T +34-91-737-16-55
info.es@hikvision.com

Hikvision Tashkent
T +99-87-1238-9438
uzb@hikvision.ru

Hikvision Hong Kong
T +852-2151-1761
info.hk@hikvision.com

Hikvision Russia
T +7-495-669-67-99
saleru@hikvision.com

Hikvision Korea
T +82-[0]31-731-8817
sales.korea@hikvision.com

Hikvision Poland
T +48-22-460-01-50
info.pl@hikvision.com

Hikvision Indonesia
T +62-21-2933759
Sales.Indonesia@hikvision.com

Hikvision Colombia
sales.colombia@hikvision.com